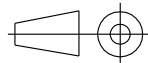
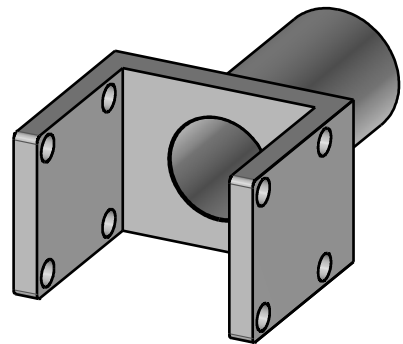
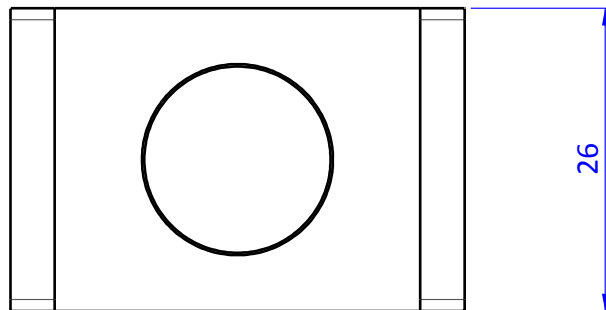
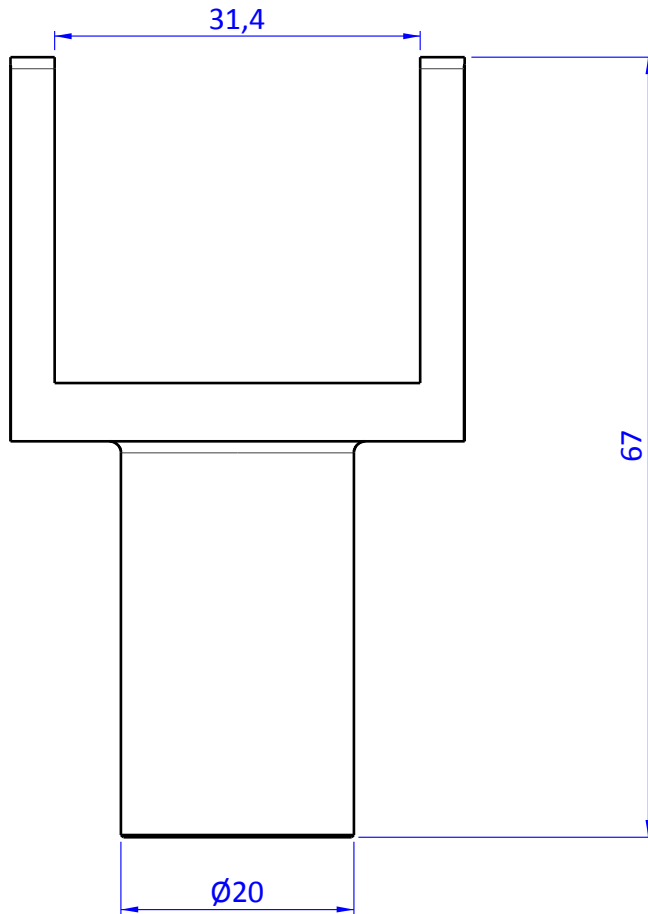


THE PROPERTY OF THE DRAWING IS ESTABLISHED BY LAW
IT IS FORBIDDEN TO PRODUCE OR SHOW IT TO THIRD PART
WITHOUT A WRITTEN AGREEMENT.

MODIFICATIONS		VARIED DIMENSIONS AS OF DATE:	
7		10	
8		11	
9		12	

MODIFICATIONS		VARIED DIMENSIONS AS OF DATE:	
1		4	
2		5	
3		6	



DESIGNED FROM		FPSERVICES	
DATE	01/12/2017	WEIGHT	0,035kg
CODE	CA.UDBS.20		

Format A4
UNI 936-76

GENERAL TOLERANCE
UNI - ISO 2768
CLASSE f

DESCRIPTION

REV:
A / 1